

bloom[®]
www.bloombaby.com

bloom[®]
www.bloombaby.com

amsterdam • berlin • dubai • dublin •
hong kong • london • miami • moscow • new york •
paris • seoul • sydney • zurich

copyright © bloom 2008, all rights reserved
colours may vary

bloom car-01/eng/03



is your baby in bloom?

moving from couple-dom to parenting is a wonderful, emotional phase during which parents and baby begin life together

at bloom, we believe parents and baby should live together in style, with innovative products that reflect modern living



rest • feed • play



fresco™ classic

fresco loft™
and



rest · feed · play (0 – 36 kg/79 lbs)

fresco bloom is the only contemporary chair that stays with baby from birth to school age

bloom's european design team created fresco bloom to provide families with a 3-in-1 resting, feeding and play chair in a style that fits the contemporary home

fresco loft™ puts baby in command at the breakfast bar or counter top with an extra 15 cm/6 inches in height

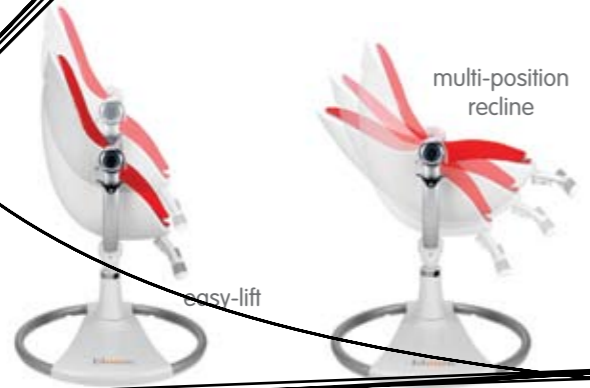
colour options

fresco™ classic



2006 SELECTION
 THE DUTCH DESIGN AWARDS

seat pads can be purchased separately as accessories

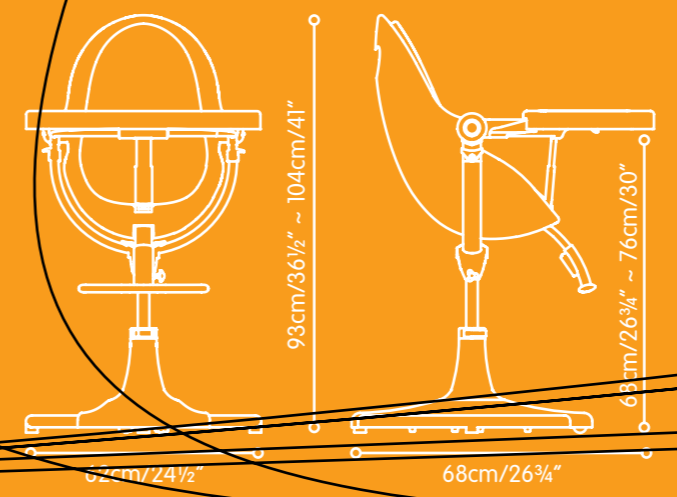


features

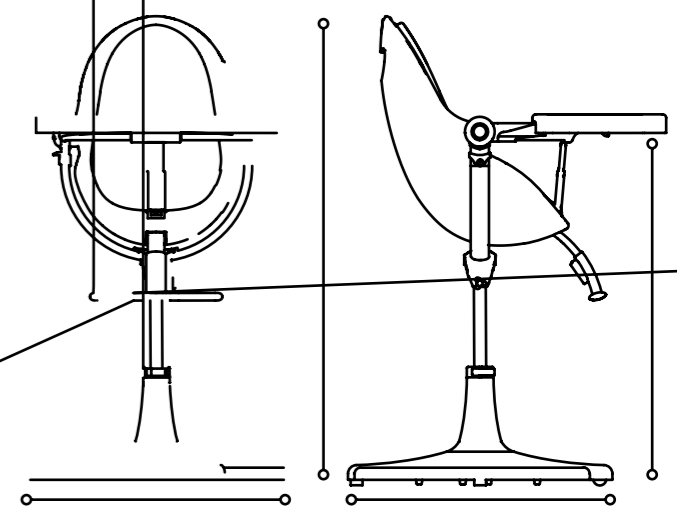
suitable for: newborn to 36 kg/79 lbs

- 3 in 1 grow-with-child modes:
 - newborn to 6-month resting cradle
 - 6-month and up feeding chair with 'up-to-the-table' and traditional (tray) modes
 - play seat from 2 years to 36 kg/79 lbs
- super sized adjustable feeding tray (3-position) with deep lip to prevent spills – made of FDA compliant food contact grade plastic and stainless steel, removable and dishwasher-safe
- 360-degree swivel seat for easy access
- pneumatic-assist, easy lift height adjustment allowing infinite positions
- multiple position reclining seat
- 5-point padded safety harness, adjustable for growing baby
- seat upholstery available in vibrant micro-suede™ colours and elegant understated tones of leatherette
- multiple-position footrest
- enclosed castor wheels in base for easy 'lift and glide'
- fresco™ classic
 net weight: EU – 13.8 kg/30.4 lbs, US – 10.8 kg/23.8 lbs

product dimensions – fresco™ classic



product dimensions – fresco loft™





up-to-the-table dining



colour options

fresco loft™ – ivory



bermuda blue (wbb)



frost grey (wfg)



harvest orange (who)

fresco loft™ – ebony



bermuda blue (bbb)



frost grey (bfg)



harvest orange (bho)



rock red (wrr)



rosy pink (wrp)



rock red (brr)



rosy pink (brp)



coconut white (wcvl)
*leatherette



midnight black (wmbL)
*leatherette



henna brown (whbl)
*leatherette



coconut white (bcvl)
*leatherette



midnight black (bmbL)
*leatherette



henna brown (bhbl)
*leatherette



COCOTM stylewood



COCOTM plexistyle



lounge · rock · relax
coco bloom belongs in contemporary living spaces with its iconic form and comfortable nest for baby
formed in cultivated stylewoodTM and plexistyleTM, coco bloom has a smooth self-rocking motion, soft-feel comfort seat and 5-point safety harness

colour options

stylewood™ – natural



henna brown (nhb)



harvest orange (nho)



coconut white (ncw)



bermuda blue (nbb)



midnight black (nmb)



rock red (nrr)

stylewood™ – cappuccino



henna brown (chb)



harvest orange (cho)



coconut white (ccw)



bermuda blue (cbb)



midnight black (cmb)



rock red (crr)

plexistyle™ – transparent



henna brown (thb)



harvest orange (tho)



coconut white (tcw)



bermuda blue (tbb)



midnight black (tmb)



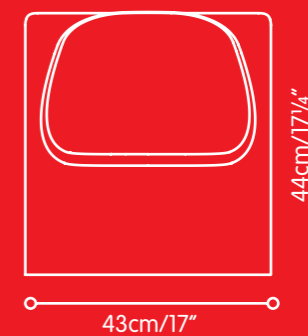
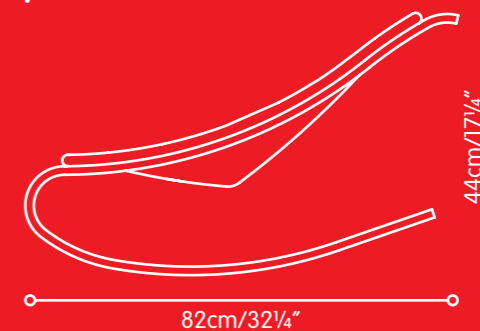
rock red (trr)

features

suitable for: new born to 12 kg/26 lbs

- curved, single-piece frame with cosy comfort seat; perfect for contemporary living spaces
- formed in shades of stylewood™ or plexistyle™
- smooth self-rocking motion
- 5-point padded safety harness, adjustable for growing baby
- micro-suede™/leatherette seat pad available in vibrant colours – easy clean and maximum comfort
- no assembly required
- stylewood™
net weight: 6.8 kg/15 lbs
- plexistyle™
net weight: 10.5 kg/23 lbs

product dimensions



colour options

plexistyle™ – ivory



henna brown (whb)



harvest orange (who)

plexistyle™ – ebony



henna brown (bhb)



harvest orange (bho)



coconut white (wcw)



bermuda blue (wbb)



coconut white (bcw)



bermuda blue (bbb)



midnight black (wmb)



rock red (wrr)



midnight black (bmb)



rock red (brr)



lounge • rock • relax



bloom snug is available in store



seat pads can be purchased separately as accessories



sit • fold • store



TM
nano



sit • fold • store

with its european styling and flat fold design, nano bloom is ideal for contemporary families living in smaller urban spaces

colour options

nano™



coconut white (cw)



henna brown (hb)

nano™ – ebony



midnight black (mb)



paradise blue (pb)



harvest orange (ho)



rock red (rr)



blossom pink (bp)



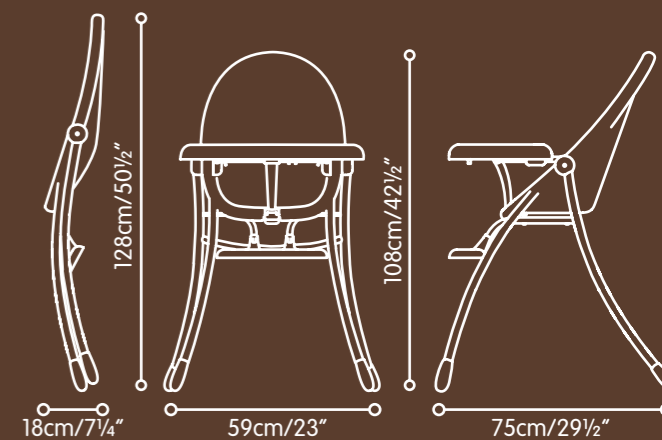
flat-fold design

features

suitable for: 6 months to 3 years

- sleek, minimalist design
- space-saving flat-fold mechanism for easy storage
- 'up-to-the-table' and traditional (tray) feeding modes
- super sized adjustable feeding tray (3-position) with deep lip to prevent spills – made of FDA compliant food contact grade plastic and stainless steel, removable and dishwasher-safe
- 5-point padded safety harness, adjustable for growing baby
- leatherette seat upholstery for comfort and easy clean in contemporary colours
- 2-position adjustable footrest
- light weight for easy carry
- net weight: 5.5 kg/12 lbs

product dimensions



OTTO™

play • party • store



play · party · store

otto bloom brings play into your modern living space

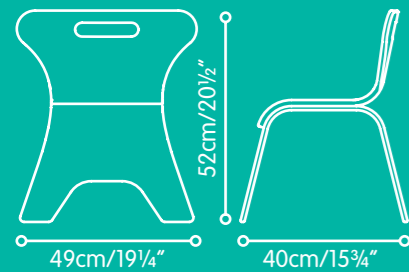
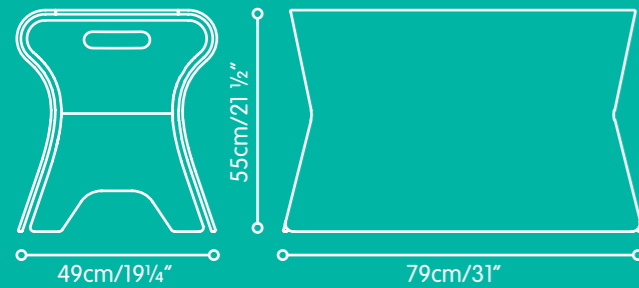
formed in cultivated stylewood™, otto's organic silhouette and space-saving design make playing, learning and exploring fun in a style that fits the contemporary home



features

suitable for: 18 months +

- clean, modern design
- ergonomic play table and chairs set
- chairs nest with table
- two sliding art-and-play trays
- available in shades of cultivated stylewood; also optional centre panel in vibrant colours
- no assembly required
- easy wipe clean
- net weight: 21.8 kg/48 lbs

product dimensions**colour options**

bloom designs high quality, simple and iconic products that enhance contemporary living, dining and travel spaces, while meeting the safety and comfort needs of baby

bloom was founded by four dads wanting to bring meaningful innovation and modern design to baby furniture and gear

